

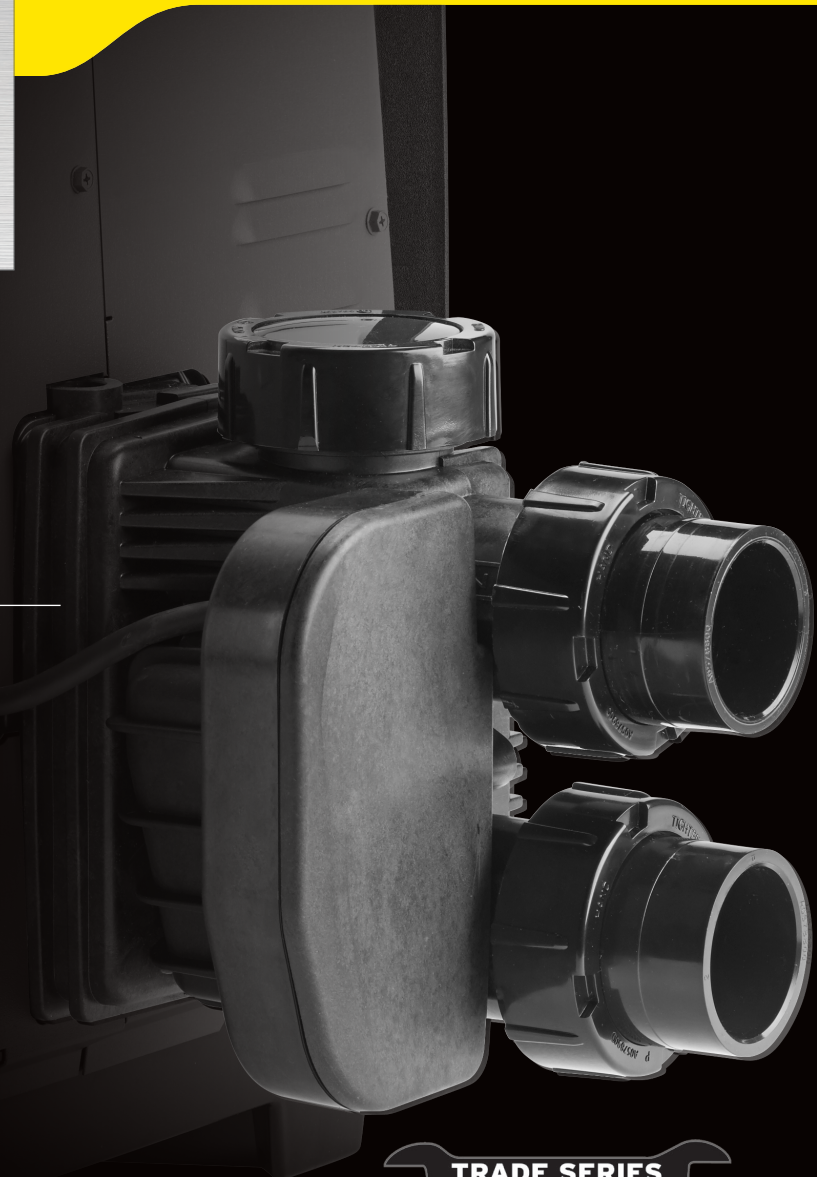


# JXi with VersaFlo

SAVES POOL OWNERS **\$350** PER YEAR\*

**Here's How:**

- » The heater is typically used 3.5% of average annual pump runtime
- » The other 96.5% of the time the heat exchanger can be bypassed
- » The pump works less, saving electrical energy and up to \$350 per year in costs
- » JXi with VersaFlo activates the built-in flow bypass valve based on call for heat to avoid running water through the heat exchanger when it's not in heat mode



## VersaFlo's Bypass Technology Explained

**Bypass Mode**

VersaFlo Integrated Bypass diverts water flow around the heat exchanger when not heating water.



**Heat Mode**

While heating, water flow is directed through the heat exchanger and heated water is returned to the pool/spa.

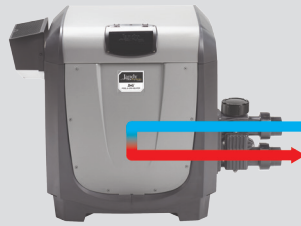


\*Based on testing of Jandy JXi heater without VersaFlo integrated bypass with a variable speed pump in a pool system where the filter pump operates 3000 hours per year and the heater operates 100 hours per year. See back for more details.



**Stop wasting electricity and money pushing water through your pool heater when you don't need to!**

Heater without VersaFlo



Heater with VersaFlo



**Time Water Travels Through Heater\*\*\***

3,000 Hours

100 Hours

**Time Water Bypasses Heater**

0 Hours

2,900 Hours

**How VersaFlo Saves Money on Your Pump Electric Bill**

Annual Electricity Used by Pump Through Heater\*\*

3300 KW

110 KW

Annual Electricity Used by Pump Bypassing Heater\*\*

0 KW

1537 KW

Electricity Cost†

0.21 \$/KWHr

0.21 \$/KWHr

Total Cost to Operate Pump\*\*

\$695

\$345

**Annual Energy Savings of up to \$350\* with VersaFlo\*\***

**Save Even More with Energy-Efficient Upgrades!**

Upgrade to a variable-speed pump from a single speed for maximum energy efficiency.

Plus, the hydraulic savings of VersaFlo make it the perfect complement to Versa Plumb®, which maximizes energy efficiency in the smallest footprint available.



Upgrade Single-Speed Pump to Variable-Speed†

**UP TO \$875 SAVINGS**

**+** Upgrade to JXi with VersaFlo  
**UP TO \$350 SAVINGS**

**Total annual savings of up to \$1,225**

\* Actual energy savings will vary based on actual pool pump and heater run times, cost of electricity, energy consumption of the actual pump installed and variation of many other factors.

\*\* Cost comparison based on internal testing of Jandy ePump, with Jandy CV Filter and JXi without VersaFlo to the same system setup with JXi with VersaFlo.

\*\*\* Pool pump and filter run time based on calculated average of nationwide survey of pool owners.

† Uses the average cost of electricity for residential service for Los Angeles Metro Area between August 2015 and August 2016, Source: www.bls.gov

‡ Cost savings calculated on replacing a single-speed 1.0HP pump with a 2 HP variable-speed pump. Actual savings will vary.

ZODIAC® FAMILY OF BRANDS | **Heritage of Excellence**

**Zodiac Pool Systems, Inc.**  
2620 Commerce Way, Vista, CA 92081  
1.800.822.7933 | www.Jandy.com

**Zodiac Pool Systems Canada, Inc.**  
2115 South Service Road West, Unit #3, Oakville, ON L6L 5W2  
1.888.647.4004 | www.ZodiacPoolSystems.ca